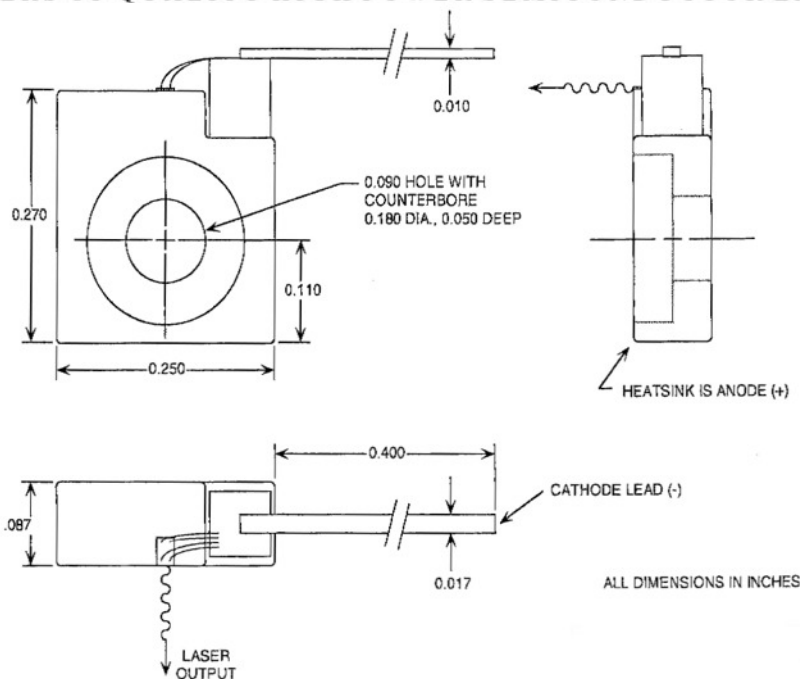


PLT TECHNOLOGY, INC.

MANUFACTURERS OF QUALITY HIGH POWER SEMICONDUCTOR LASERS



635nm, 600mW on "C" mount

Parameters	Symbol	Min.	Type	Max.	Unit	Conditions
Wavelength	λ	633	635	637	nm	
Operating power @15 C			600	700	mW	
Spectral width (FWHM)			1	3	nm	
Threshold Current	mA	550	600	645	mA	
Operating Current @ Rated power	mA	1300	1350	1450	mA	
Operating Temperature	C		18	20	C	
Forward Voltage	V	2.0	2.2	2.3	Voltage	
Divergence-Parallel			7	9	Degrees	FWHM
Divergence-Perpendicular		38	40	42	Degrees	FWHM
Aperture size			150x1		um	
Slope Efficiency		0.95	0.80	0.80	mW/mA	
Polarization Ratio			99:1			%